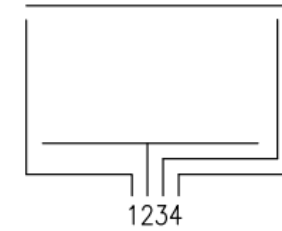


REMARK

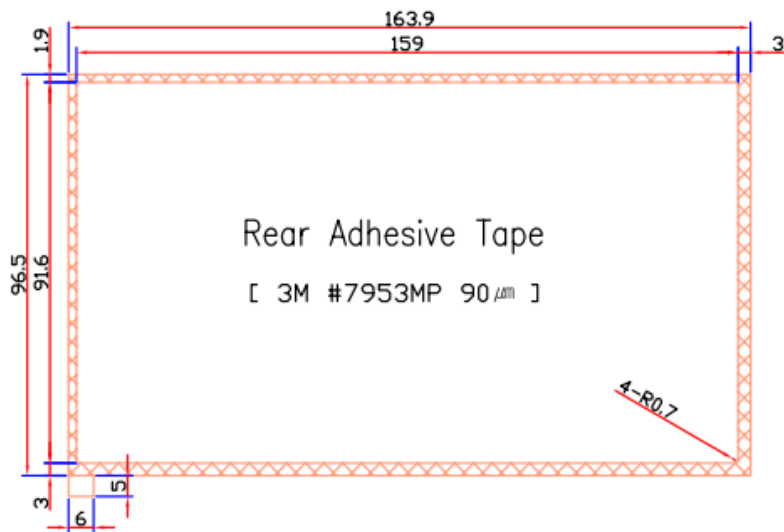
- 1.Glass Thk: 1.1mm
- 2.Film Type: Non_Glare
- 3.Total Thk: 1.35±0.15
- 4.Linearity: ±1.5 or less
- 5.Transmittance: 80% or more
- 6.Resistance
 $100 < Y < 1200 \text{ ohm}$
 $100 < X < 1200 \text{ ohm}$
- 7.Connector: FPC

CIRCUIT DIAGRAM



SIGNAL ASSIGNMENT

Pin No	Signal
1	XL
2	YL
3	XR
4	YH



DESCRIPTION
7.0TOUCH PANEL

Detail "AA"

